

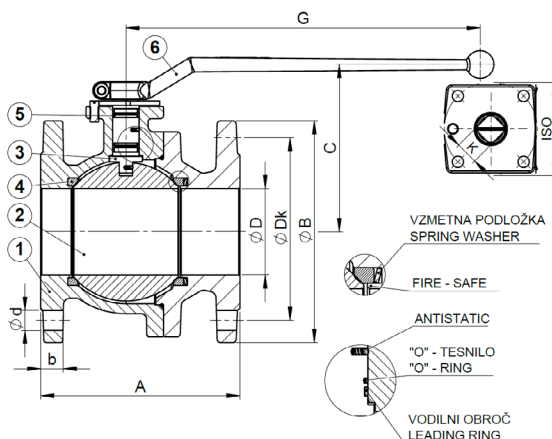
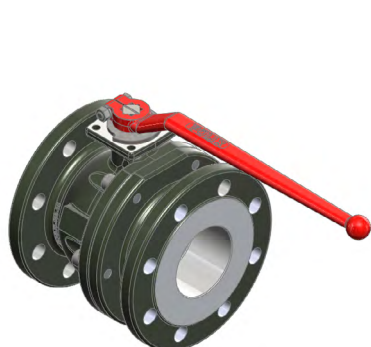


- Prirobnična krogelna pipa iz nodularne litine
- Flanged ductile iron ball valve

KPN IZ NODULARNE LITINE - KOVINSKO TESNENJE / KPN DUCTILE IRON - METAL SEATED



// Polni pretok / Full bore



Materiali / Materials

1	Ohišje Body	Nodularna litina – EN-GJS-400-15 (GGG40) Ductile Iron – EN-GJS-400-15 (GGG40)
2	Krogla Ball	Nerjavno jeklo - 1.4301 (X5CrNi18-10) AISI 304 Stainless steel - 1.4301 (X5CrNi18-10) AISI 304
3	Vreteno Stem	Nerjavno jeklo – 1.4028 (X30Cr13) AISI 420 Stainless Steel – 1.4028(X30Cr13) AISI 420
4	Tesnilo krogle Ball seats	PTFE + 60% bron PTFE + 60% bronze
5	O-Obroč O-Ring	PTFE
6	Ročica Handle	Kovani aluminij – Al6061, opcija S235JR (St 37-2) Forged Aluminium – Al6061, option S235JR (St 37-2)

Navor / Torque

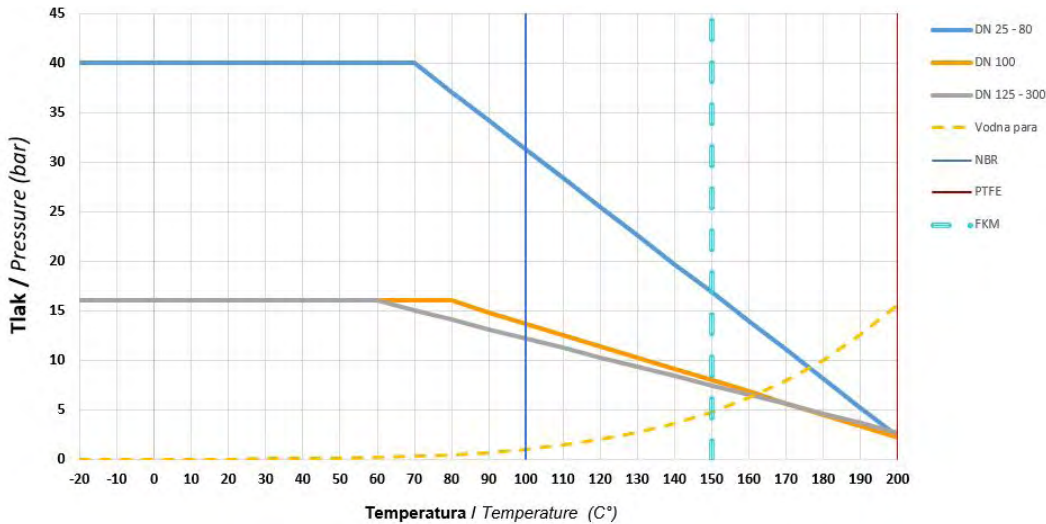
DN	Maks. navor Max torque P = 16 bar T = 20°C	Maks. navor Max torque P = 40 bar T = 20°C	Priporočljivi navor za pogon Recommendable torque for actuator
	[Nm]	[Nm]	[Nm]
15	6	10	20
20	8	15	20
25	15	20	30
32	20	30	45
40	25	40	60
50	35	55	80
65	45	80	120
80	60	100	150
100	90	150	200
125	180	350	450
150	250	500	700
200	400	700	1000
250	500	700	1200

Opombe: Navori so bili izmerjeni s čisto vodo pri sobni temperaturi na ventilih s PTFE tesnili. Navor se lahko poveča pri ventilih, ki imajo tesnila iz drugačnih materialov, pri merjenju z različnimi tekočinami, višjimi temperaturami, posebnimi obratovalnimi pogoji in/ali v primeru, da je ventil dlje časa pod diferencialnim tlakom, ne da bi obratoval.

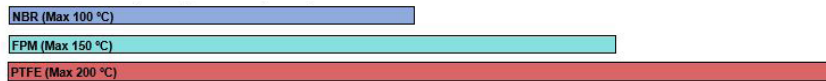
Remarks: The torques were measured on valves supplied with virgin PTFE seats, with clean water at room temperature. For valves with other seat materials, different fluids, higher temperatures, specific operating conditions and/or in case the valve is kept for a long time under differential pressure without being operated, the torque can increase.

// Delovna temperatura / Working temperature: -20 °C/+200 °C

Diagram tlak I temperatura / Pressure I temperature chart



Tesnila na vretenu, ohišju | Stem and body seals



KPN DN ... PN16 DP PX MX - ISO

PN16

Art.	DN	A	ØB	C	ØD	G	b	Ødk	Ød	Št. / No.	ISO (zgornja) prirobnica / Top Flange	Nastavek / Shaft K x h	Teža / weight [kg]
A954271	15	115	95	67	16	150	17	65	14	4	F04	□ 11 x 13,5	2,00
A954272	20	120	105	74	20	150	18	75	14	4	F04	□ 11 x 13,5	3,30
A954273	25	125	115	83	25	150	18	85	14	4	F04	□ 11 x 13,5	3,60
A954274	32	130	140	102	32	210	18	100	18	4	F04	□ 14 x 18	5,40
A954275	40	140	150	107	40	210	18	110	18	4	F05	□ 14 x 18	6,70
A950456	50	150	165	120,5	50	210	20	125	18	4	F05	□ 14 x 18	8,90
A950457	65	170	185	140	63,5	320	18	145	18	4	F07	□ 17 x 23	14,63
A950458	80	180	200	151	78	320	20	160	18	8	F07	□ 17 x 23	20,11
A950459	100	190	220	166	99	320	20	180	18	8	F07	□ 17 x 23	26,00
A950460	125	325	250	201	124	500	22	210	18	8	F10	□ 22 x 27	50,00
A950461	150	350	285	218	149	500	22	240	22	8	F10	□ 22 x 27	69,50
A950462	200	400	340	-	200	-	24	295	22	12	F12	□ 27 x 31	144,00
A950463	250	450	405	-	250	-	26	355	26	12	F14	□ 36 x 36	235,00

Uležajena krogla | Trunnion mounted ball

Opombe

Vgradna dolžina ustreza standardu EN558-1 Basic series 27.
Antistatična izvedba in požarno tesnilo.
Nadgradnje na strani 87 - 94.

Notes

Face to face dimensions conform with the EN558-1 Basic series 27.
Antistatic and Fire Safe Design.
Upgrades on pages 87 - 94.